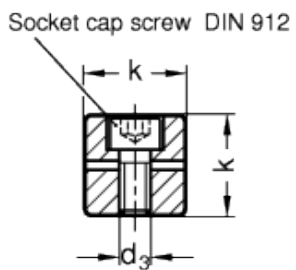
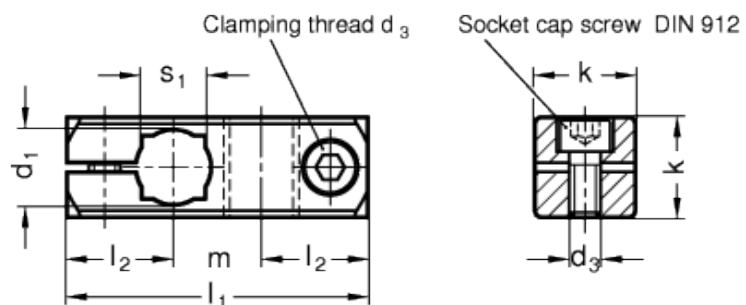
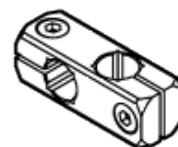
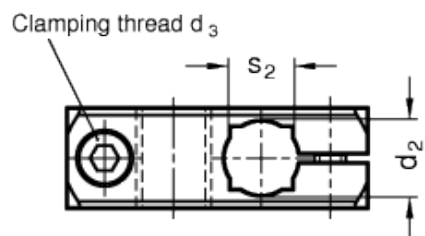
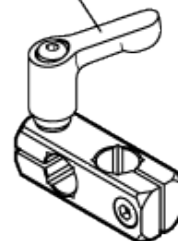


# GN 474

Two-way clamp mountings



Adjustable  
clamping lever GN 511



technical informations

## Material

Aluminium.

## Finish

- Version MT: matte, slide ground.
- Version ELS: anodised, black.

## Clamping screws

AISI 304 stainless steel socket cap screws DIN 912.

## Features and applications

The standard clamping bolts are socket cap screws DIN 912. They can be replaced by adjustable clamping kits GN 511 (description see table of dimensions).

### Accessory

Clamping kits [GN 511](#) (clamping handles GN 300.1 with distance bushing).

Standard Elements	Main dimensions									Clamping kits for $d_3$	Weig g
	Description	$d_1$ Bore B for shaft tol. h11	$d_2$ Bore B for shaft tol. h11	k	$d_3$ Clamping thread	$l_1$	$l_2$	m	$S_1$ Square v		
GN 474-B8-B8-MT	B8	B8	14	M4	37	13.5	10	-	-	GN 511-M4-14	16
GN 474-B10-B8-MT	B10	B8	16	M5	46	17	12	8	-	GN 511-M5-16	26
GN 474-B10-B10-MT	B10	B10	16	M5	46	17	12	8	8	GN 511-M5-16	25
GN 474-B12-B8-MT	B12	B8	16	M5	48	17	14	10	-	GN 511-M5-16	24
GN 474-B12-B12-MT	B12	B12	16	M5	48	17	14	10	10	GN 511-M5-16	23
GN 474-B15-B10-MT	B15	B10	20	M6	58	20.5	17	12	8	GN 511-M6-20	50
GN 474-B15-B12-MT	B15	B12	20	M6	58	20.5	17	12	10	GN 511-M6-20	47
GN 474-B15-B15-MT	B15	B15	20	M6	58	20.5	17	12	12	GN 511-M6-20	44
GN 474-B16-B12-MT	B16	B12	20	M6	59	20.5	18	-	10	GN 511-M6-20	48
GN 474-B16-B16-MT	B16	B16	20	M6	59	20.5	18	-	-	GN 511-M6-20	43
GN 474-B20-B15-MT	B20	B15	25	M6	65	21.5	22	16	12	GN 511-M6-25	76
GN 474-B20-B16-MT	B20	B16	25	M6	65	21.5	22	16	-	GN 511-M6-25	74
GN 474-B20-B20-MT	B20	B20	25	M6	65	21.5	22	16	16	GN 511-M6-25	67
GN 474-B8-B8-ELS	B8	B8	14	M4	37	13.5	10	-	-	GN 511-M4-14	16
GN 474-B10-B8-ELS	B10	B8	16	M5	46	17	12	8	-	GN 511-M5-16	26
GN 474-B10-B10-ELS	B10	B10	16	M5	46	17	12	8	8	GN 511-M5-16	25
GN 474-B12-B8-ELS	B12	B8	16	M5	48	17	14	10	-	GN 511-M5-16	24
GN 474-B12-B12-ELS	B12	B12	16	M5	48	17	14	10	10	GN 511-M5-16	23
GN 474-B15-B10-ELS	B15	B10	20	M6	58	20.5	17	12	8	GN 511-M6-20	51
GN 474-B15-B12-ELS	B15	B12	20	M6	58	20.5	17	12	10	GN 511-M6-20	47
GN 474-B15-B15-ELS	B15	B15	20	M6	58	20.5	17	12	12	GN 511-M6-20	44
GN 474-B16-B12-ELS	B16	B12	20	M6	59	20.5	18	-	10	GN 511-M6-20	49
GN 474-B16-B16-ELS	B16	B16	20	M6	59	20.5	18	-	-	GN 511-M6-20	43
GN 474-B20-B15-ELS	B20	B15	25	M6	65	21.5	22	16	12	GN 511-M6-25	80

GN 474-B20-B16-ELS	B20	B16	25	M6	65	21.5	22	16	-	GN 511-M6-25	75
GN 474-B20-B20-ELS	B20	B20	25	M6	65	21.5	22	16	16	GN 511-M6-25	67

---



STANDARD MACHINE ELEMENTS WORLDWIDE